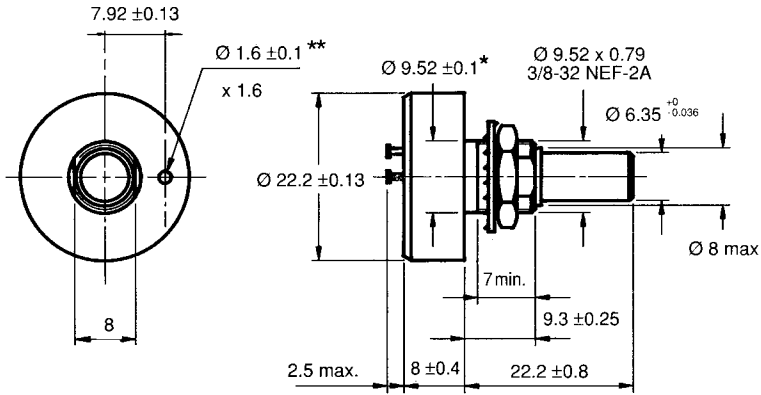


ECS

SIZE 09

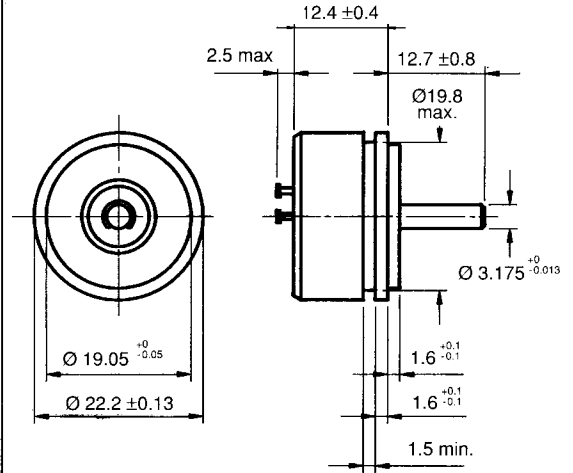
78 PB
78 RB



* On request \varnothing 10,3 mm or 12,3 mm
** Without antirotation pin on request

SIZE 09

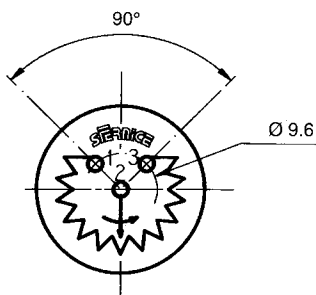
78 PS
78 RS



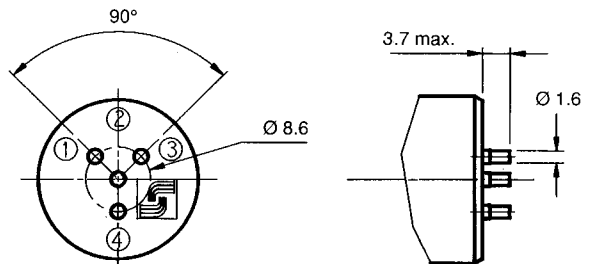
REAR VIEWS

SIZE 09

STANDARD 3 TURRETS



INTERMEDIATE TAP ON REQUEST ④



Dimensions in mm.
General tolerance $\pm 0,5$ mm.

ORDERING PROCEDURE

SERIES	MODEL	TYPE	FIXATION	MECHANICAL STOPS	LINEARITY	TAP	OHMIC VALUE	SPECIAL FEATURES
ECO	78	P R	S B Bushing	M on request	A $\pm 1\%$ or $\pm 2\%$ B $\pm 0,5\%$ C $\pm 0,35\%$	T on request U: voltage position to be specified	102: 1 k Ω 202: 2 k Ω 502: 5 k Ω 103: 10 k Ω	W... special code