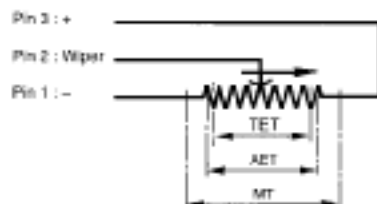
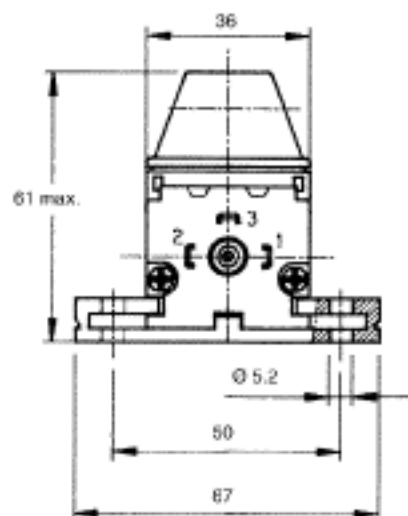


## ELECTRICAL CONNECTIONS



TET = Theoretical electrical travel  
 AET = Actual electrical travel  
 MT = Mechanical travel



General tolerance  $\pm 1$  mm  
 Dimensions in mm

Table 1

SIZE	AET	MT	L
L1A L20	E +1,5 min.	E + 7 min.	E +158 max.
L 21A L40	E +1,5 min.	E +11 min.	E +183 max.
L41A L120	E + 1,5 min.	E +15 min.	E +189 max.